

## AT-3020ER

### A versatile FE1/E1 Integrated Access Device



#### Description

The AT-3020ER is a FE1/ E1 Integrated Access Device supporting drop and insert E1 Services as well as dual port routed or bridged services for the remaining WAN bandwidth. With the drop-and-insert and the built-in CSU/DSU capabilities, it switches any DS0 time slots from one E1 port and transports this time slots to another E1 interface.

A complete suite of PPP, IP/MAC over HDLC encapsulation protocol feature flexibilities possible while connecting to WAN services.

The AT-3020ER Integrated Access Devices, when operating in router mode, supports DHCP Server/Relay/Client, NAT, as well as RIP, dynamic routing and static routing. PPPoE Client enables user authentication and eliminates the needs of PPPoE protocol in a networked PC.

Meanwhile, the PPPoE Server, as those deployed in ISP, establishes the PPP link and authenticates its client peer.

The port-based Virtual Server or host-based DMZ features allow local servers to be exposed to the Internet for providing services such as File Transfer, Mailing, HTTP or Telnet. In-built ACL (Access Control List) feature enables the unit to examine the network traffic's Source IP address, Destination IP address, and IP protocol type to decide if the IP traffic is allowed to pass through it.

The VPN Pass Through feature supports the pass through of IPsec, L2TP or PPTP tunnel for a secured transmission between two VPN endpoints.

Remote management function allows user to be able accessing the AT-3020ER via Web, Telnet for configuration, or TFTP for firmware upgraded. It offers the embedded DHCP server, which helps system administration manage the IP address network in the easiest way ever.

#### ANDA Telecom Pvt. Ltd.

Registered office : E-36, Amar Colony, Lajpat Nagar-IV, New Delhi - 110024, INDIA

Phone : +91 11 41323629, +91 93 5302 57173

E-mail : [Info@andatelecomindia.com](mailto:Info@andatelecomindia.com)

URL : [www.andatelecomindia.com](http://www.andatelecomindia.com)

## Features

- Support FE1E1 WAN access simultaneously with PPP and IP/HDLC protocol
- Switch any DS0 time slots from one E1 port to the another E1 port
- Support Ethernet Packet[LAN Bridge] over HDLC to WAN protocol conversion
- Support multiple IP ranges mapping into E1 time slot
- Integrate 4 ports Ethernet switch for LAN access
- Route or bridge IP traffic cost
- Support PPPoE Client or PPPoE Server
- Support DHCP Client/Relay/Server
- Bundle PPPoE, NAT and ACL to support Virtual Server and DMZ features.
- Support pass through of IPSec, PPTP or L2TP tunnel.
- Perform Quick Setup and configuration via friendly GUI interface
- Perform remote maintenance via Telnet, TFTP or or SNMP

## Specification

### ■ Network E1 Interface

Standard:	ITU-T G.703, G.704, G.706, G.732, G.823 ISDN Primary Rate Access: ITU-T 1.431, I.604
Line rate:	2048 Kbps +/- 50 ppm
Line Code:	HDB3
Framing:	PCM31, PCM30, PCM31C, PCM30C or unframed selectable
Data Rate:	64 Kbps to 2048 Kbps [ Nx64 Kbps, N=1 ~ 32 ]
Operation:	Full E1 or fractional E1
Unused Time Slot:	Fill in 0xFF Hex byte
Pulse shape:	Meet ITU-T G.703
Nominal Pulse Width:	244 ns
Impedance:	Balanced 120 Ohm +/- 5% resistive or unbalanced 75Ohm+/- 5% resistive
Connection Type:	RJ-48C or BNC

### ■ Network Data Port Interface

Standard:	Type ITU-T V.35
Interface :	V.35/V.36/RS-530/X.21 software selectable
Data Rate:	64 Kbps to 2048 Kbps [ Nx64 Kbps N=1 ~ 32 ]
Connection	DB-25F female connector

### ANDA Telecom Pvt. Ltd.

Registered office : E-36, Amar Colony, Lajpat Nagar-IV, New Delhi - 110024, INDIA

Phone : +91 11 41323629, +91 93 5302 57173

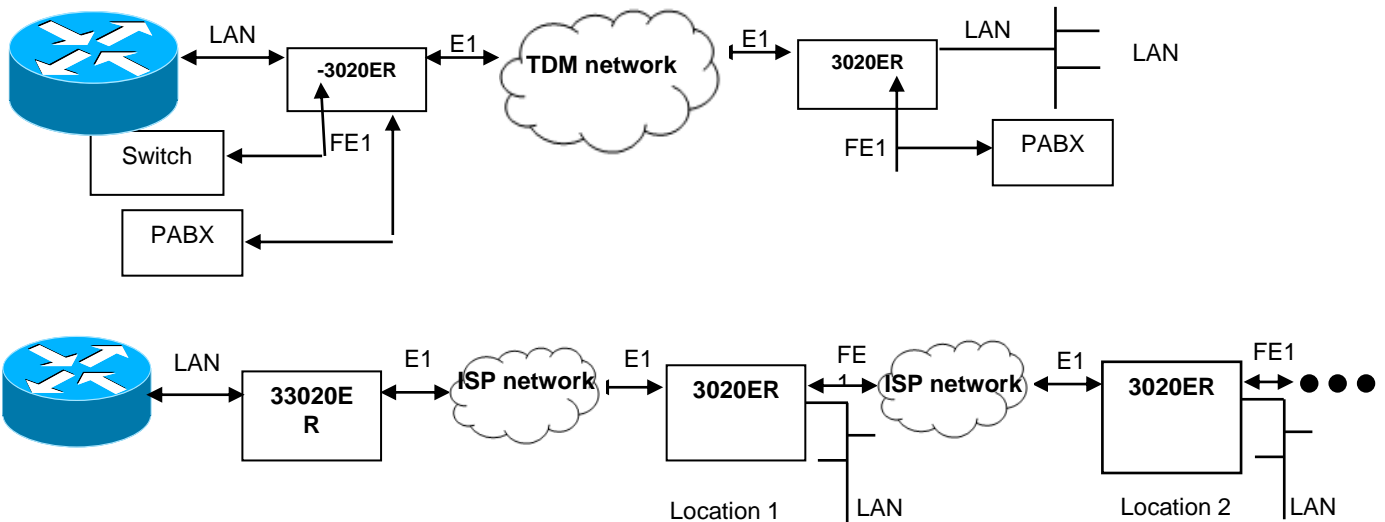
E-mail : [Info@andatelecomindia.com](mailto:Info@andatelecomindia.com)

URL : [www.andatelecomindia.com](http://www.andatelecomindia.com)

■ **User LAN Interface**

- Standard: IEEE 802.3 / IEEE 802.3u
- Interface : IEEE 802.3/802.3u 10/100 Base-T
- Data Rate: 64 Kbps to 2048 Kbps [ Nx64 Kbps N=1 ~ 32 ]
- Bridging Complied with IEEE 802.1d transparent bridge
- Capability: Supports up to 128 MAC addresses learning  
Supports bridge filtering function
- Connection Type: RJ-45

**Application**



**ANDA Telecom Pvt. Ltd.**

Registered office : E-36, Amar Colony, Lajpat Nagar-IV, New Delhi - 110024, INDIA

Phone : +91 11 41323629, +91 93 5302 57173

E-mail : [Info@andatelecomindia.com](mailto:Info@andatelecomindia.com)

URL : [www.andatelecomindia.com](http://www.andatelecomindia.com)