

Product Upgrade Description

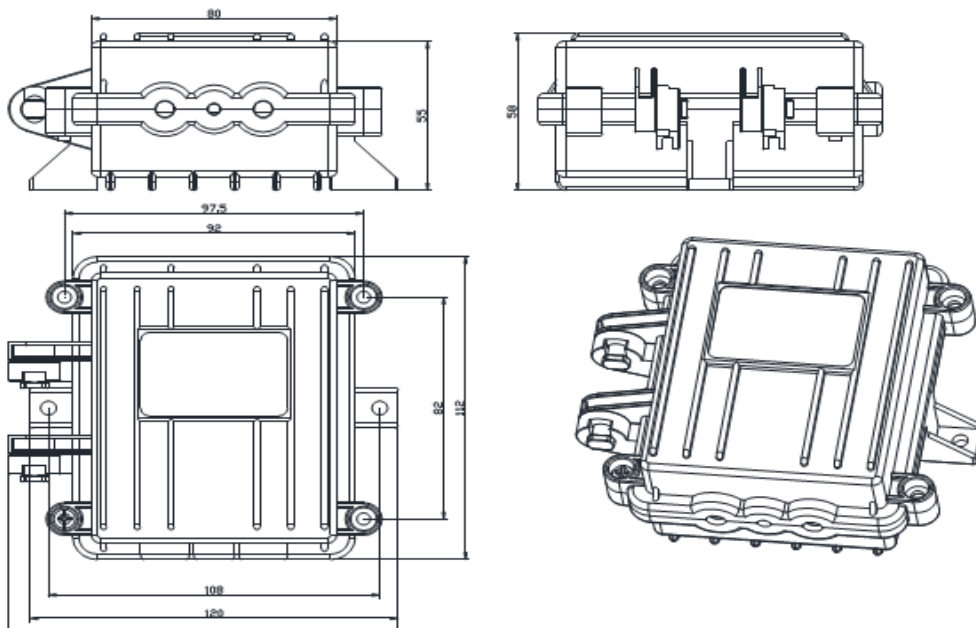
Models: AT POE5-48-OD, POE6-48-OD

Description

1.1 Surge protector designed to provide protection for Power over Ethernet (POE) enabled devices against

transient surge and static discharge.

- CAT5e, CAT5 (POE5-48-OD) and CAT6 (POE6-48-OD) compatible
- 802.3af
- 10/100/1000 Base-T Gigabit Ethernet protection
- LAN, FDDI, CDDI, ATM, WLAN
- PDH, SDH, SPDH
- Industrial control
- For outdoor use



Alteration/improvement from the original models:

2.1 Enclosure size is two fifths times of the original and the weight is three fifths times of the former .

2.2 Caps are replaced by simpler entry Installation and wire/cable connection are much easier for user.

2.3 Circuit board improved and enhanced.

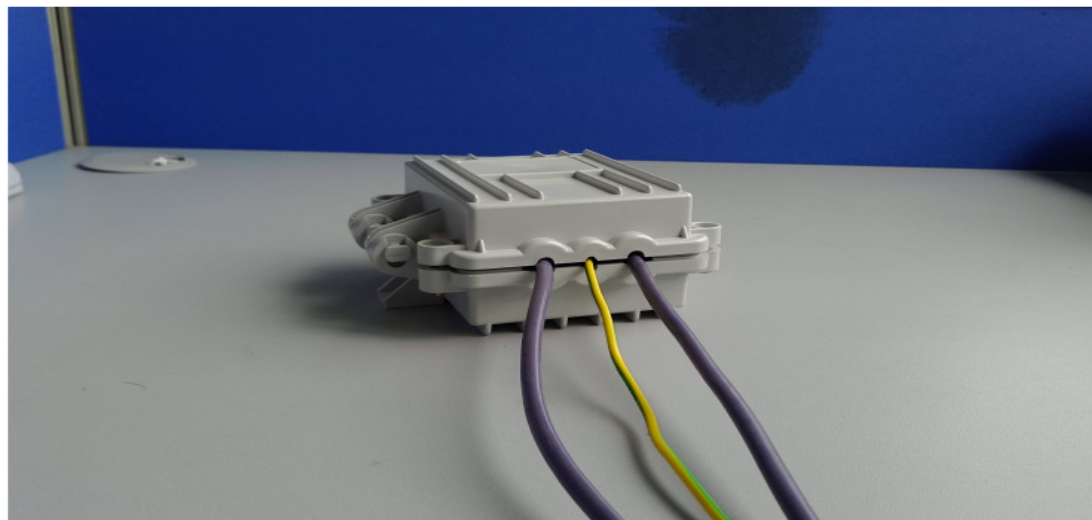
ANDA Telecom Pvt. Ltd.

Registered office : E-36, Amar Colony, Lajpat Nagar- IV, New Delhi – 110024, INDIA

Phone : +91 11 41323629, +91 93 502 57173

E-mail : Info@andatelecomindia.com

URL : www.andatelecomindia.com



TECHNICAL PARAMETER:

Model	ATPOE6-48-OD
Electrical Parameter(Network & Power)	
Nominal operating voltage Un	48V
Max. continuous operating voltage Uc	57V
Nominal discharge current (8/20 μ s) In	3kA
Max. discharge current (8/20 μ s) Imax	5kA
Limiting voltage Up	
Line-line (@6kV, 10/700 μ s)	$\leq 150V$
Line-line (@3kA, 8/20 μ s)	$\leq 150V$
Adapt transmission rate	1000Mbps
Insertion loss	$\leq 0.5dB$
Protection line	1-8
Response time t _A	1ns
Load current	500mA
Application	Cat. 6
Mechanical characteristics	
Dimension	12.2(H) \times 10.2(W) \times 7.1(L)cm
Weight per unit	244g
IP Level	IP65 (with waterproof duct tape applied)
Working conditions	
	Temp.: -40 ~ 85 $^{\circ}$ C
	Relative humidity: 5% ~ 95%
Standards Compliance	IEC61000, RoHS