

AT AC POWER SPD SERIES

(SURGE PROTECTION)



The surge protectors are used for transient surge protection of single and multi-phase power circuits at the main electrical panel. SPDs are for the protection of individual electrical devices. They provide common-mode protection (between each Line and Ground), with impulse discharge capacity (I_{max}) 40kA



The SPD design is based on high-energy varistors (MOVs) equipped with thermal disconnects and integral failure indicators. A remote signaling contact for disconnection indication is standard on each unit. For ease of replacement, varistors are housed in pluggable modules with connections that are mechanically keyed to the base to prevent incorrect arrester module replacement.

Typical applications include low voltage distribution or protection of industrial control systems, equipment assemblies and devices.

ANDA Telecom Pvt. Ltd.

ISO 9001:2008 Certified Company

Registered office : E-36, Amar Colony, Lajpat Nagar-IV, New Delhi - 110024, INDIA

Phone : +91 11 41323629, +91 93 502 57173

E-mail : Info@andatelecomindia.com

URL : www.andatelecomindia.com

SPD II & III - AC Surge Protectors

For transient voltage protection of single and multi-phase circuits, in the main electrical panel, downstream of the main circuit breaker, or in control panels.

FEATURES

FEATURES

AC Network	120/240V, 120/208V
Connection Mode	1 Pole, L-N or L-G
Max. Operating Voltage (MCOV)	150VAC
TOV Withstand	150VAC
Leakage Current at Uc	<1mA
Follow Current	none
UL Nominal Discharge Current (In), 15 impulses 8/20 μs	20kA
Max. Discharge Current (Imax), 1 impulse 8/20 μs	40kA
UL Voltage Protection Rating (VPR)	500V
Protection Level (Up)	0.9kV
UL Short-Circuit Current Rating (SCCR)	25kAIC
AC System	Single-phase
Thermal Disconnecter	UL 60691
Overcurrent Protection	Time Delay - 125A Max.
Dimensions (mm)	90 x 18 x 67
Connection	Screw terminals, #4 AWG Max.
Remote Signal Indicator	250VAC Max, 2A
Mounting	Din-rail, TS35
Operating Temp	-50°C to +85°C
Operating Altitude (Max.)	13,000 ft (4,000m)
Relative Humidity	5 to 95% non-condensing, up to 100% external
Enclosure Material	Thermoplastic UL94-V0
Environmental Rating	IP20
Weight	3.4 oz

Approvals

IEC 61643-1 - INTERNATIONAL
EN 61643-11 - EUROPE
NF EN 61643-11 - FRANCE
UL1449 3rd Edition - USA and CANADA
RoHS

SPD II 120V/40kA



SPD II 230V/40kA

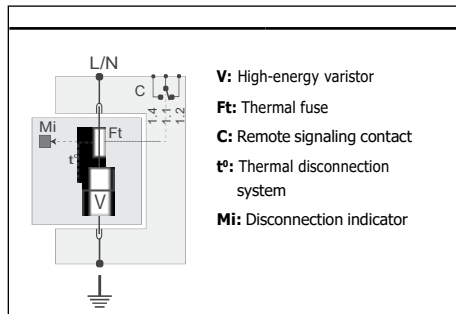
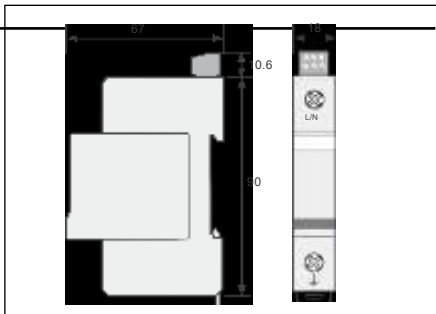


120/240V, 120/208V
1 Pole, L-N or L-G
150VAC
150VAC
<1mA
none
20kA
40kA
500V
0.9kV
25kAIC
Single-phase
UL 60691
Time Delay - 125A Max.
90 x 18 x 67
Screw terminals, #4 AWG Max.
250VAC Max, 2A
Din-rail, TS35
-50°C to +85°C
13,000 ft (4,000m)
5 to 95% non-condensing, up to 100% external
Thermoplastic UL94-V0
IP20
3.4 oz

Class I, Class II
Class I, Class II
Class I, Class II
Class I, Class II
Low Voltage SPD
Directive 2002/95/EC

220/380V, 240/415V
1 Pole, L-N or L-G
275VAC
275VAC
<1mA
none
20kA
40kA
900V
1.25kV
25kAIC
Single-phase
UL 60691
Time Delay - 125A Max.
90 x 18 x 67
Screw terminals, #4 AWG Max.
250VAC Max, 2A
Din-rail, TS35
-50°C to +85°C
13,000 ft (4,000m)
5 to 95% non-condensing, up to 100% external
Thermoplastic UL94-V0
IP20
3.4 oz

Class I, Class II
Class I, Class II
Class I, Class II
Class I, Class II
Low Voltage SPD
Directive 2002/95/EC



SPD II bus bars

ANDATA Telecom Pvt. Ltd.

ISO 9001:2008 Certified Company

Registered office : E-36, Amar Colony, Lajpat Nagar-IV, New Delhi - 110024, INDIA

Phone : +91 11 41323629, +91 93 502 57173

E-mail : Info@andatelecomindia.com

URL : www.andatelecomindia.com

For transient voltage protection of single and multi-phase circuits, in the main electrical panel, downstream of the main circuit breaker, or in control panels.

FEATURES

AC Network
Connection Mode
Max. Operating Voltage (MCOV)
TOV Withstand
Leakage Current at Uc
Follow Current
UL Nominal Discharge Current (In), 15 impulses 8/20 μs
Max. Discharge Current (Imax), 1 impulse 8/20 μs
UL Voltage Protection Rating (VPR)
Protection Level (Up)
UL Short-Circuit Current Rating (SCCR)
AC System
Thermal Disconnect
Overcurrent Protection
Dimensions (mm)
Connection
Remote Signal Indicator
Mounting
Operating Temp
Operating Altitude (Max.)
Relative Humidity
Enclosure Material
Environmental Rating
Weight

SPD II 277V/40kA

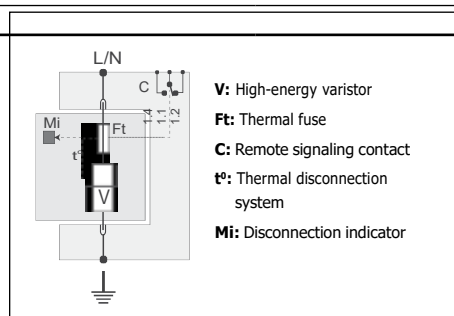
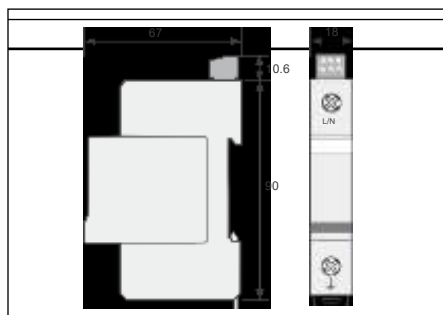


220/380V, 277V
1 Pole, L-N or L-G
400VAC
400VAC
<1mA
none
20kA
40kA
1500V
1.8kV
25kAIC
Single-phase
UL 60691
Time Delay - 125A Max.
90 x 18 x 67
Screw terminals, #4 AWG Max.
250VAC Max, 2A
Din-rail, TS35
-50°C to +85°C
13,000 ft (4,000m)
5 to 95% non-condensing, up to 100% external
Thermoplastic UL94-V0
IP20
3.4 oz

SPD II 480V/40kA



347/600V, 480V
1 Pole, L-N or L-G
550VAC
550VAC
<1mA
none
20kA
40kA
1800V
2.5kV
25kAIC
Single-phase
UL 60691
Time Delay - 125A Max.
90 x 18 x 67
Screw terminals, #4 AWG Max.
250VAC Max, 2A
Din-rail, TS35
-50°C to +85°C
13,000 ft (4,000m)
5 to 95% non-condensing, up to 100% external
Thermoplastic UL94-V0
IP20
3.4 oz



SPD II bus bars

ANDA Telecom Pvt. Ltd.
ISO 9001:2008 Certified Company
 Registered office : E-36, Amar Colony, Lajpat Nagar-IV, New Delhi - 110024, INDIA
 Phone : +91 11 41323629, +91 93 502 57173
 E-mail : Info@andatelecomindia.com URL : www.andatelecomindia.com

SPD II & III - AC Surge Protectors

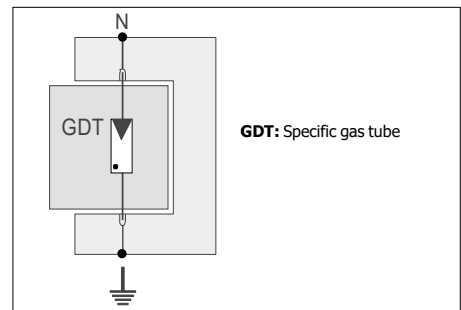
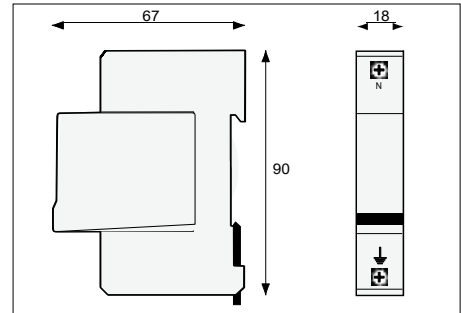
For transient voltage protection of multi-phase circuits with TT grounding systems.

SPD II N/PE



FEATURES

Network	230/400V, 120/208V
Max. Operating Voltage (MCOV)	255VAC
TOV Withstand	400VAC
Leakage Current at Uc	none
Follow Current	100A
Nominal Discharge Current (In), 15 impulses 8/20 μs	20kA
Max. Discharge Current (Imax), 1 impulse 8/20 μs	40kA
Protection Level (Up)	1.5kV
UL Short-Circuit Current Rating (SCCR)	25kAIC
Dimensions (mm)	90 x 18 x 67
Connection	Screw terminals, #4 AWG Max.
Mounting	Din-rail, TS35
Operating Temp	-40°C to +85°C
Enclosure Material	Thermoplastic UL94-V0
Environmental Rating	IP20
Approvals	
IEC 61643-1 - INTERNATIONAL	Class II
EN 61643-11 - EUROPE	Class II
NF EN 61643-11 - FRANCE	Class II
UL1449 3rd Edition - USA and CANADA	Low Voltage SPD



SPD II bus bars

ANDA Telecom Pvt. Ltd.

ISO 9001:2008 Certified Company

Registered office : E-36, Amar Colony, Lajpat Nagar-IV, New Delhi - 110024, INDIA

Phone : +91 11 41323629, +91 93 502 57173

E-mail : Info@andatelecomindia.com

URL : www.andatelecomindia.com

For devices with single phase voltage supplies

- Protects L & N conductors (common and differential modes)
- Integrated contact for remote status indication
- Local status indicator on arrester
- Quick replacement with pluggable arrester

SPD II 120V/G/40kA



SPD II 240V/G/40kA

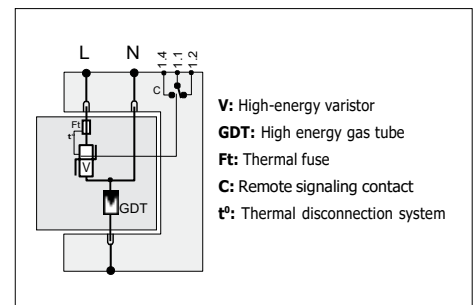
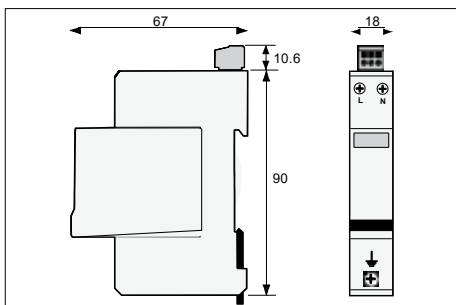


FEATURES

AC Network
Connection Mode
Max. Operating Voltage (MCOV)
TOV Withstand
Leakage Current at Uc
Protection Mode
Nominal Discharge Current (In), 15 impulses 8/20 μs
Max. Discharge Current (Imax), 1 impulse 8/20 μs
Protection Level (Up)
Residual Voltage @ 5k
Short-Circuit Current Rating (SCCR)
AC System
Thermal Disconnecter
Overcurrent Protection
Dimensions (mm)
Connection
Disconnection Indicator
Installation Ground Fault Breaker
Mounting
Operating Temp
Operating Altitude
Relative Humidity
Enclosure Material
Environmental Rating
Weight
Approvals

120V
TN-TT
150VAC
150VAC
<1mA
MC/MD
20kA
40kA
1.5/0.9kV
0.6kV
10kAIC
Single-phase
Internal
Fuses type gG 50A Max.
90 x 18 x 58
Screw terminals, #4AWG Max.
2 mechanical indicators
Type S or delayed
Din-rail, TS35
-40°C to +85°C
13,000 ft (4,000m)
5 to 95% non-condensing, up to 100% external
Thermoplastic UL94-V0
IP20
3.4 oz

230V
TN
255VAC
255VAC
<1mA
MC/MD
20kA
40kA
1.5/1.25kV
0.9kV
10000 A
Single-phase
Internal
Fuses type gG 50A Max.
90 x 18 x 67
Screw terminals, #4AWG Max.
2 mechanical indicators
Type S or delayed
Din-rail, TS35
-40°C to +85°C
13,000 ft (4,000m)
5 to 95% non-condensing, up to 100% external
Thermoplastic UL94-V0
IP20
3.4 oz



SPD II & III - AC Surge Protectors

For transient voltage protection of single-phase devices.

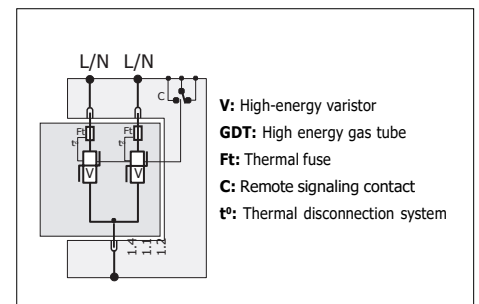
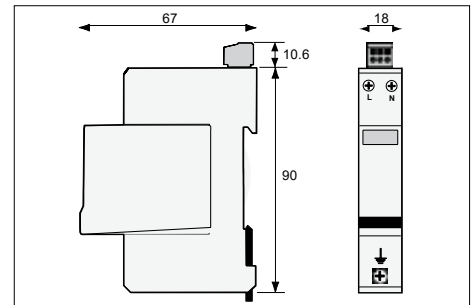
- Protects 2 conductors - typically L & N, but could also be L1 & L2
- Integrated contact for remote status indication
- Pluggable replaceable arrester

SPD III 120V/40kA



FEATURES

AC Network	120V
Connection Mode	TN
Max. Operating Voltage (MCOV)	150VAC
TOV Withstand	150VAC
Max load current	16A
Leakage Current at Uc	<1mA
Follow Current	none
Nominal Discharge Current (In), 15 impulses 8/20 μs	20kA
Max. Discharge Current (Imax), 1 impulse 8/20 μs	40kA
Protection Level (Up)	1.5/0.9kV
Short-Circuit Current Rating (SCCR)	10kAIC
AC System	Single-phase
Thermal Disconnecter	UL 60691 Internal
Overcurrent Protection	Fuses type gG - 50A Max.
Dimensions (mm)	90 x 18 x 58
Connection	Screw terminals, #4 AWG Max.
Remote Signal Indicator	250VAC Max, 2A
Mounting	Din-rail, TS35
Operating Temp	-40°C to +85°C
Operating Altitude	13,000 ft (4,000m)
Relative Humidity	5 to 95% non-condensing, up to 100% external
Enclosure Material	Thermoplastic UL94-V0
Environmental Rating	IP20
Weight	3.4 oz



MODEL

ATSP-M20B4/3+N	ATSP-M40B4/3+N	ATSP-M60B4/3+N	ATSP-M80B4/3+N	ATSP-M100B4/3+N	ATSP-M120B4/3+N
ATSP-M20B2/3+N	ATSP-M40B2/3+N	ATSP-M60B2/3+N	ATSP-M80B2/3+N	ATSP-M100B2/3+N	ATSP-M120B2/3+N

ANDATA Telecom Pvt. Ltd.

ISO 9001:2008 Certified Company

Registered office : E-36, Amar Colony, Lajpat Nagar-IV, New Delhi - 110024, INDIA

Phone : +91 11 41323629, +91 93 502 57173

E-mail : info@andatelecomindia.com

URL : www.andatelecomindia.com